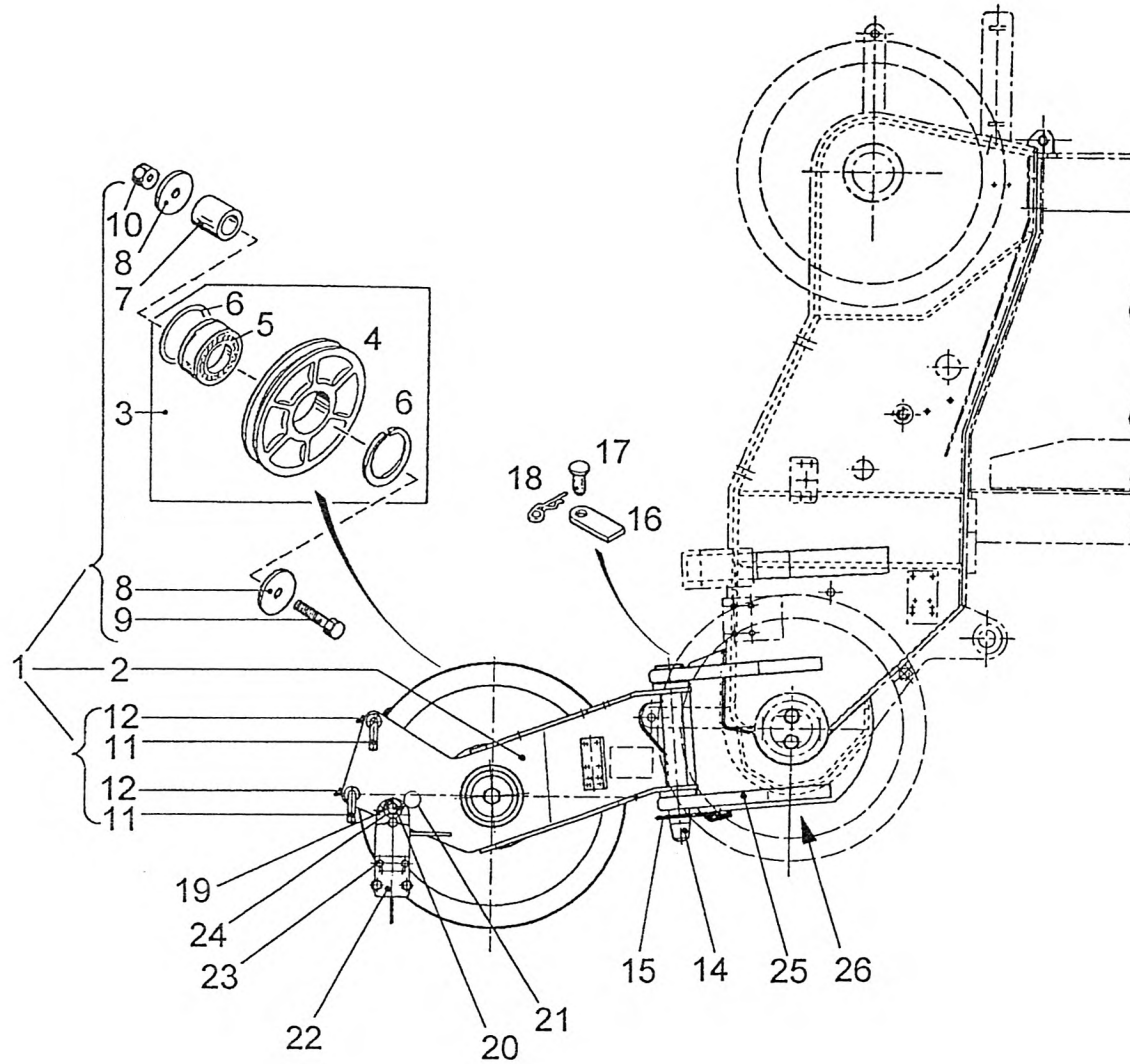


FRONT BUILD ROLLER
VORBAUROLLE-EINBAU
FLECHETTE

997-077-68840

Figure
Bild 7768840
Figure

5994-01



FRONT BUILD ROLLER
VORBAUROLLE-EINBAU
FLECHETTE

997-077-68840

Figure
Bild 7768840
Figure

5994-01



| Item Pos. Réf | Part No. Teil-Nr. Pièce No | Designation Benennung Désignation | all alle tous | Qty/assy Stck/Variante Pièce/ensemble | | | | | | | | Figure Bild Figure |
|------------------|----------------------------------|---|---------------------|--|---|---|---|---|---|---|---|--------------------------|
| | | | | A | B | C | D | E | F | G | H | |
| 1 | 997-077-70089 | FRONT BUILD ROLLER ASSY VORBAUROLLE-KPL FLECHETTE CPL | 1 | | | | | | | | | |
| 2 | 997-077-47810 | FRONT BUILD ROLLER VORBAUROLLE (Blechteil) FLECHETTE | 1 | | | | | | | | | |
| 3 | 997-077-40242 | PULLEY ASSY SEILROLLE-KPL POULIE A CABLE CPL | 1 | | | | | | | | | |
| 4 | 997-077-40241 | PULLEY SEILROLLE POULIE A CABLE | 1 | | | | | | | | | |
| 5 | 997-077-12155 | ROLLER BEARING ZYLINDERROLLENLAGER ROULEM ROULEAUX | 1 | | | | | | | | | |
| 6 | 997-070-07528 | SNAPRING WRE125 SPRENGRING CIRCLIP | 2 | | | | | | | | | |
| 7 | 997-077-47773 | BUSHING BUCHSE DOUILLE | 1 | | | | | | | | | |
| 8 | 997-077-47772 | DISK SCHEIBE DISQUE | 2 | | | | | | | | | |
| 9 | 997-001-08196 | HEX BOLT M20x130 6KT-SCHRAUBE VIS HEXAGONALE | 1 | | | | | | | | | |
| 10 | 997-002-17414 | HEX NUT M20 6KT-MUTTER ECROU HEXAGONALE | 1 | | | | | | | | | |
| 11 | 997-077-47786 | SOCKET PIN STECKBOLZEN CHEVILLE DE ATTelage | 2 | | | | | | | | | |
| 12 | 997-007-73438 | HAIR PIN COTTER 4 FEDERSTECKER CLAVETTE A RESSORT | 2 | | | | | | | | | |
| 14 | 997-077-47833 | PIN BOLZEN BOULON | 2 | | | | | | | | | |
| 15 | 997-009-25641 | HAIR PIN COTTER 7 FEDERSTECKER CLAVETTE A RESSORT | 2 | | | | | | | | | |
| 16 | 997-077-68846 | PLATE PLATTE PLAQUE | 1 | | | | | | | | | |

| Item Pos. Réf | Part No. Teil-Nr. Pièce No | Designation Benennung Désignation | all alle tous | Qty/assy Stck/Variante Pièce/ensemble | | | | | | | | Figure Bild Figure |
|------------------|----------------------------------|--|---------------------|--|---|---|---|---|---|---|---|--------------------------|
| | | | | A | B | C | D | E | F | G | H | |
| 17 | 997-070-05548 | PIN BOLZEN BOULON | 1 | | | | | | | | | |
| 18 | 997-007-73438 | HAIR PIN COTTER 4 FEDERSTECKER CLAVETTE A RESSORT | 1 | | | | | | | | | |
| 19 | 997-077-54801 | PLATE LAGERPLATTE PLAQUE D APPUI | 1 | | | | | | | | | |
| 20 | 997-000-56993 | DISK 21 SCHEIBE DISQUE | 1 | | | | | | | | | |
| 21 | 997-002-51551 | COTTER PIN 5x32 SPLINT GOUPILE FENDUE | 1 | | | | | | | | | |
| 22 | 997-077-51210 | LIMIT SWITCH ENDSCHALTER INTERRUPTEUR FINAL | 1 | | | | | | | | | |
| 23 | 997-071-21026 | HEX BOLT M8x50 6KT-SCHRAUBE VIS HEXAGONALE | 2 | | | | | | | | | |
| 24 | 997-084-02232 | BUSHING 20x23x15 VERBUNDBUCHSE COUSSINET COMPOSITE | 1 | | | | | | | | | |
| 25 | 997-077-68841 | BRACKET lh HALTER links SUPPORT a gauche | 1 | | | | | | | | | |
| 26 | 997-077-68842 | BRACKET rh HALTER rechts SUPPORT a droite | 1 | | | | | | | | | |